

HOOD CONTROLLED EXHAUST FAN

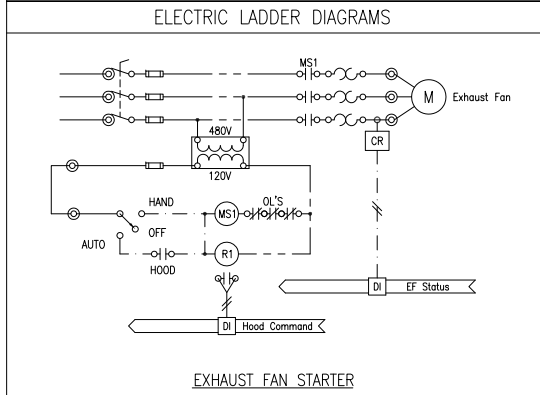
POINTS LIST						
POINT NAME	POINT DESCRIPTOR	POINT TYPE				REMARKS
		DI	AI	DO	AO	
EFxx.HOOD-C	Hood Command	1				
EFxx.STS	EF Status		1			
TOTALS		2	0	0	0	

BILL OF MATERIAL				
DESIG	QTY	MODEL NO.	DESCRIPTION	
CS 1	1		Current Switch	

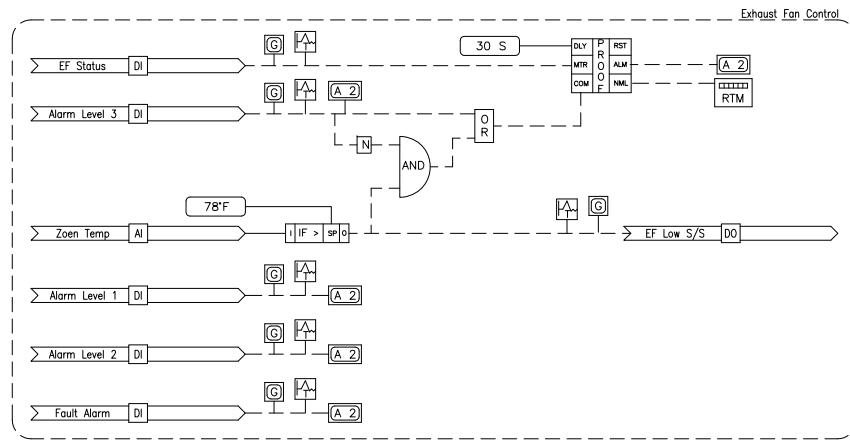
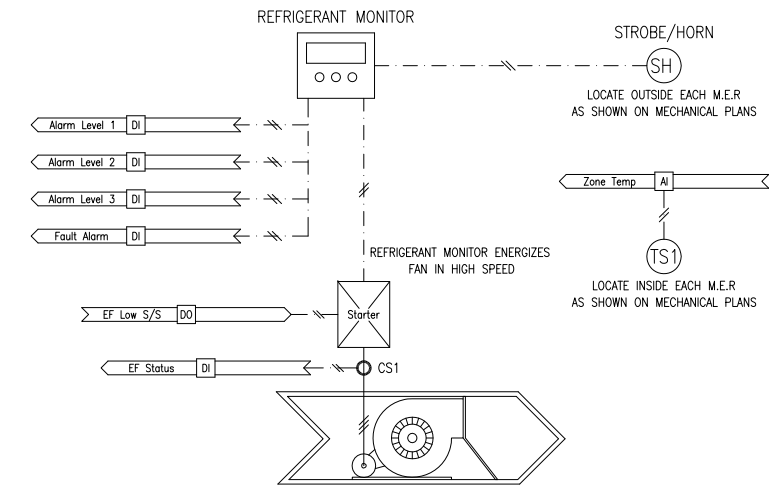
**SEQUENCE OF OPERATION**

**Exhaust Fan:** BAS shall monitor the exhaust fan as follows.

- The exhaust fan shall be energized whenever the associated hood is operating.
- BAS shall prove fan operation and use the status indication to accumulate runtime.



EXHAUST FAN STARTER



REFRIGERANT MONITORING AND RELIEF

POINTS LIST						
POINT NAME	POINT DESCRIPTOR	POINT TYPE				REMARKS
		DI	AI	DO	AO	
REFxx.T	Zone Temperature		1			
REFxx.EF-LO-C	EF Low Start/Stop			1		
REFxx.EF-ST5	EF Status	1				
REFxx.AL-LVL-1	Alarm Level 1		1			
REFxx.AL-LVL-2	Alarm Level 2		1			
REFxx.AL-LVL-3	Alarm Level 3		1			
REFxx.AL-FLT	Fault Alarm		1			
TOTALS		5	1	1	0	

BILL OF MATERIAL				
DESIG	QTY	MODEL NO.	DESCRIPTION	
TS 1	1		Temp Sensor, Zone	
CS 1	1		Current Switch	

**SEQUENCE OF OPERATION**

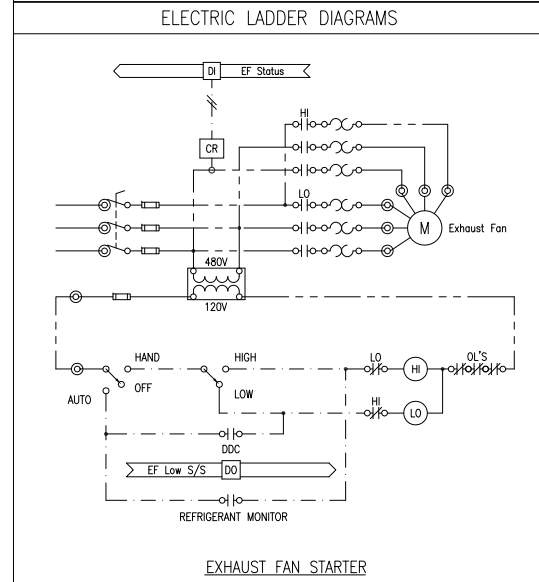
**General:** BAS shall monitor the zone temperature, refrigerant monitor alarms and control the exhaust fan.

**Exhaust Fan:** BAS shall monitor the zone temperature and control the exhaust fan as follows.

- The exhaust fan shall be energized in low speed whenever the space temperature rises above the space temperature setpoint of 78°F (adj.)
- BAS shall prove fan operation and use the status indication to accumulate runtime.

**Refrigerant Monitor:** BAS shall monitor the refrigerant monitor and the exhaust fan status as follows:

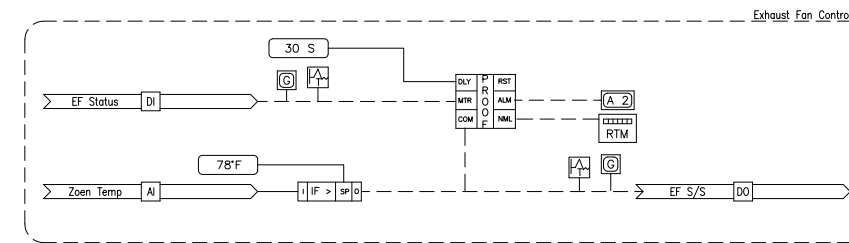
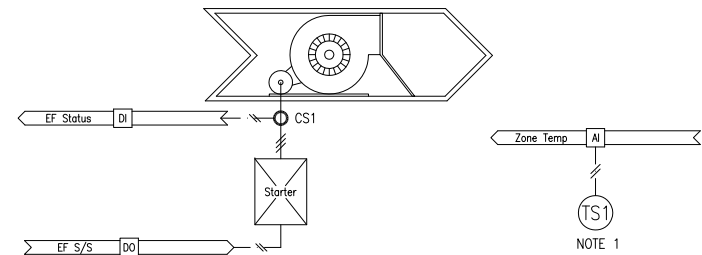
- BAS shall monitor 3 discrete alarm level relays and 1 fault alarm relay.
- BAS shall prove fan operation whenever an alarm level 3 is indicated and use the status to accumulate runtime.



EXHAUST FAN STARTER

**NOTES**

- Provide with temperature display and communications port.



TEMPERATURE CONTROLLED EXHAUST FAN

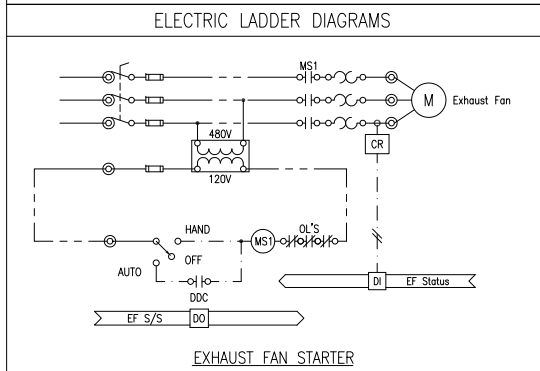
POINTS LIST						
POINT NAME	POINT DESCRIPTOR	POINT TYPE				REMARKS
		DI	AI	DO	AO	
EFxx.C	EF Start/Stop			1		
EFxx.STS	EF Status	1				
EFxx.T	Zone Temperature		1			
TOTALS		1	1	1	0	

BILL OF MATERIAL				
DESIG	QTY	MODEL NO.	DESCRIPTION	
CS 1	1		Current Switch	
TS 1	1		Temp Sensor, Zone	

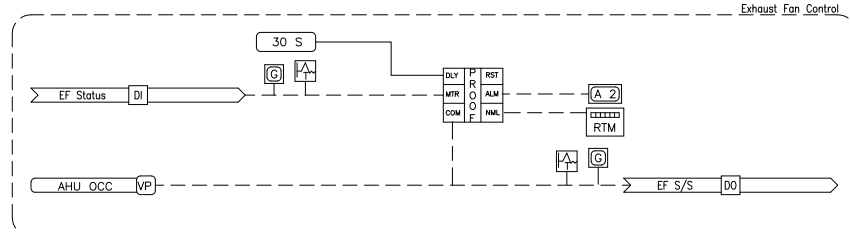
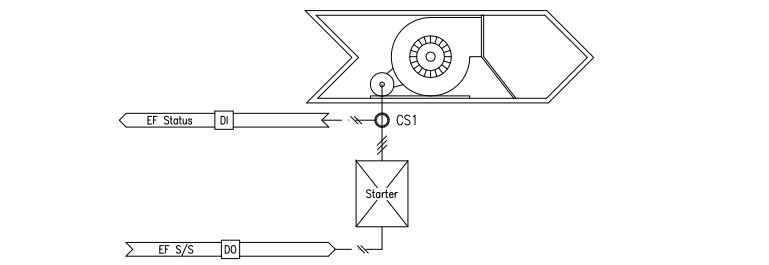
**SEQUENCE OF OPERATION**

**Exhaust Fan:** BAS shall monitor the zone temperature and control the exhaust fan as follows.

- The exhaust fan shall be energized whenever the zone temperature rises above the zone temperature setpoint of 78°F (adj.)
- BAS shall prove fan operation and use the status indication to accumulate runtime.



EXHAUST FAN STARTER



SCHEDULED EXHAUST FAN

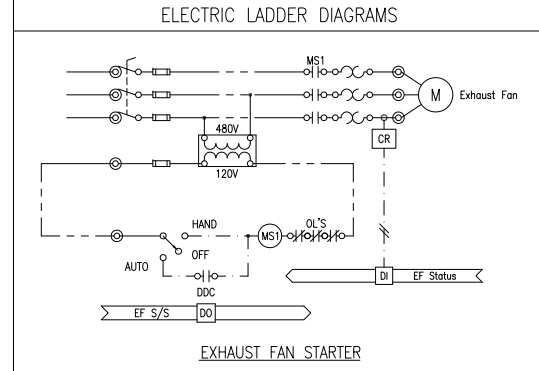
POINTS LIST						
POINT NAME	POINT DESCRIPTOR	POINT TYPE				REMARKS
		DI	AI	DO	AO	
EFxx.C	EF Start/Stop			1		
EFxx.STS	EF Status	1				
TOTALS		1	0	1	0	

BILL OF MATERIAL				
DESIG	QTY	MODEL NO.	DESCRIPTION	
CS 1	1		Current Switch	

**SEQUENCE OF OPERATION**

**Exhaust Fan:** BAS shall control the exhaust fan as follows.

- The exhaust fan shall be energized whenever the associated AHU is operating in the occupied mode.
- BAS shall prove fan operation and use the status indication to accumulate runtime.



EXHAUST FAN STARTER